

TYREinflate 830

TYREinflate 830 OTI 830



Digital Auto Stop

Automatic stop function when the preset pressure is reached



Deflator Valve

For deflating too much air



LED Light

Easy to operate even in the dark and in reduced visibility conditions



Inflation Time

Can inflate a 13" tyre in approx. 2 minutes and a 15" tyre in approx. 5 minutes²⁾³⁾

Product datasheet



Large Vehicle Digital Tyre Inflator

The OSRAM TYREinflate 830 has been specially developed for use with larger vehicles and their tyres, making it ideal for cars, caravans, motorhomes, off-road vehicles, minibuses and vans. This tyre inflator can inflate a 13" tyre in approx. 2 minutes and a 22" tyre in approx. 5 minutes²3. The auto stop function and the deflator valve help to keep the tyres optimally inflated. This can also reduce the risk of over- or under-inflation and the resulting possible damage to the tyres. The TYREinflate 830 has a 4-metre power cable for the accessibility to all four tyres and plugs directly into your vehicle's 12-volt socket. The backlit LED display and integrated LED light provide improved readability of the pressure settings and improved illumination of the working area even in reduced visibility conditions or at night. Also included are three adapters for inflating sports balls and other small inflatables and a storage bag to protect the unit and store it neatly. OSRAM offers a 2-year guarantee¹ on this product. 1) For precise conditions please refer to: www.osram.com/am-guarantee2) Based on inflating a 13" tyre from flat to 2.4 BAR /22" tyre from flat to 2.6 bar³) Measurements of the tyre pressure and inflation of the tyres to the optimum tyre pressure must always be conducted on cold tyres

Product datasheet

Technical data

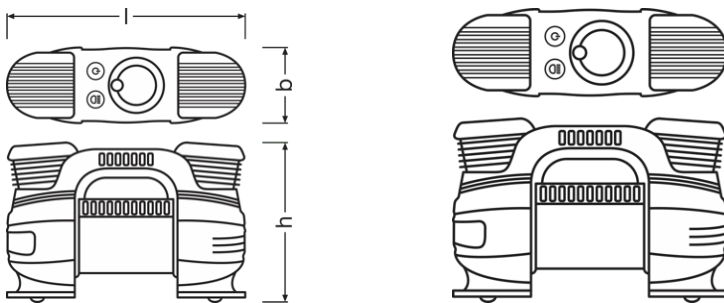
Product information

Order reference	OTI830
Inflation time	2 min
Max Pressure	5.5 bar
Air Hose Length	85 cm
Deflation valve	Yes
Power Cord Length	4 m
Charge Time (h)	N/A
LED Light	Yes
Display Size	40 x 40 mm
Measuring Units	PSI, kPa, bar
Preset Function	Yes
Auto stop	Yes
Storage Case	Yes
Accuracy (bar)	±0.1 bar
Flow rate (l/min)	40-43 l/min

Electrical data

Nominal wattage	180.00 W
Nominal voltage	12.0 V
Operating Voltage	12 V
Power Source	12 V Fused Plug

Dimensions & weight



Length	250.0 mm
Width	150.0 mm
Height	100.0 mm

Product datasheet

Additional product data

Display Type	Digital
Noise Level (dB)	90 dB
Recommended to Use With	Motorbike, Car, Small Van
Extras	3 Piece Adaptor Kit

Capabilities

Accessories	Adaptors for: Balls, Air Mattress, Bikes
Fuse	15 A

Country specific categorizations

Order reference	OTI830
-----------------	--------

Environmental information

Information according Art. 33 of EU Regulation (EC) 1907/2006 (REACH)	
Date of Declaration	07-03-2024
Primary Article Identifier	4062172294492
Candidate List Substance 1	Lead
CAS No. of substance 1	7439-92-1
Safe Use Instruction	The identification of the Candidate List substance is sufficient to allow safe use of the article.
Declaration No. in SCIP database	370c6b6d-841b-4ec5-8420-c49baafca26b

Logistical Data

Product code	Product description	Packaging unit (Pieces/Unit)	Dimensions (length x width x height)	Volume	Gross weight
4062172294492	TYRE inflate 830	Folding carton box 1	300 mm x 125 mm x 190 mm	7.13 dm ³	2650.00 g
4062172294508	TYRE inflate 830	Shipping carton box 3	390 mm x 316 mm x 222 mm	27.36 dm ³	8200.00 g

The mentioned product code describes the smallest quantity unit which can be ordered. One shipping unit can contain one or more single products. When placing an order, for the quantity please enter single or multiples of a shipping unit.

Download Data

File



Legal advice

1)For precise conditions please refer to: www.osram.com/am-guarantee2)Based on inflating a 13" tyre from flat to 2.4 BAR /22" tyre from flat to 2.6 bar3) Measurements of the tyre pressure and inflation of the tyres to the optimum tyre pressure must always be conducted on cold tyres

Application advice:For more detailed application information and graphics please see product datasheet and the user instruction.

Application advice

For more detailed application information and graphics please see product datasheet.

Disclaimer

Subject to change without notice. Errors and omission excepted. Always make sure to use the most recent release.

OSRAM