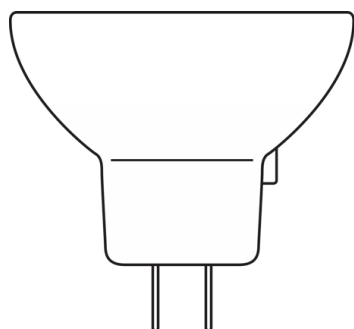
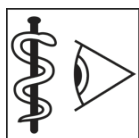


Halogen lamps with reflector MR13



487042_HALOGEN LAMP WITH REFLECTOR 64255



Product family datasheet

Technical data

Product description	Product information	Electrical data		Photometrical data	Light technical data	Dimensions & weight	
	Order reference	Nominal voltage	Nominal wattage	Nominal luminous flux	Focal length	Diameter	Length
93520 300 W 82 V ¹⁾	93520 FHS 300W	82.0 V	300.00 W	650 lm	152.5 mm	42.0 mm	45.0 mm

Product description	Lifespan	Additional product data	Capabilities	Country specific categorizations	Environmental information according Art. 33 of EU Regulation (EC) 1907/2006 (REACH)
	Lifespan	Base (standard designation)	Burning position	ANSI code	Date of Declaration
93520 300 W 82 V ¹⁾	70 h	GX5.3	s90	FHS	29-02-2024

Product description	Primary Article Identifier	Candidate List Substance 1	Declaration No. in SCIP database
93520 300 W 82 V ¹⁾	4050300350196	No declarable substances contained	No declarable substances contained

¹⁾ Available on request

Product family datasheet

Application advice

For more detailed application information and graphics please see product datasheet.

Disclaimer

Subject to change without notice. Errors and omission excepted. Always make sure to use the most recent release.