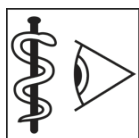


Halogen lamps with reflector MR11

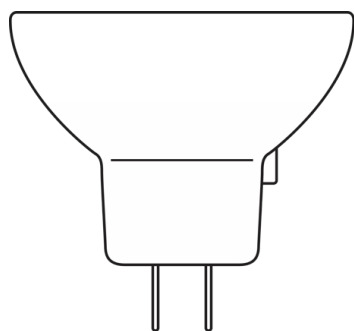


Product family features

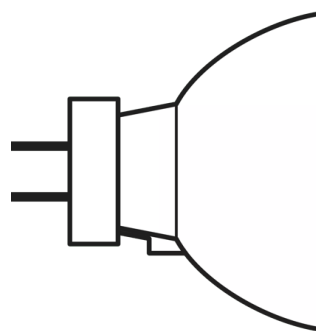
- Xenon instead of krypton as the filler gas (XENOPHOT HLX versions)
- Luminous flux up to 10 % higher with same power consumption (XENOPHOT HLX versions)



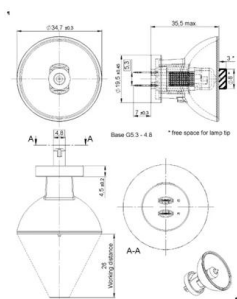
Product family datasheet



487042_HALOGEN LAMP WITH REFLECTOR 64255



383892_Halogen Lamp with reflector MR11



64617S 75W 12V

Product family datasheet

Technical data

Product description	Product information	Electrical data		Light technical data	Dimensions & weight		Lifespan
	Order reference	Nominal voltage	Nominal wattage	Focal length	Diameter	Length	Lifespan
64255 20 W 8 V	64255 20W 8V G4	8 V	20.00 W	26.0 mm	35.0 mm	32.0 mm	50 h
64617 75 W 12 V	64617 M117 75W	12.0 V	75.00 W	26.0 mm	35.0 mm	35.5 mm	25 h
64617 S 75 W 12 V ¹⁾	64617 S	12.0 V	75.00 W	26.0 mm	35.0 mm	35.5 mm	25 h
64624 100 W 12 V	64624	12.0 V	100.00 W	26.0 mm	35.0 mm	35.5 mm	25 h

Product description	Additional product data			Capabilities
	Coating	Base (standard designation)	Minimum diameter of lamp enclosure	Cooling
64255 20 W 8 V	True	G4	35.0 mm	Forced
64617 75 W 12 V	Dichroic	G5.3	35.0 mm	Forced
64617 S 75 W 12 V ¹⁾	Dichroic	G5.3	35.0 mm	Forced
64624 100 W 12 V	Dichroic	G5.3	35.0 mm	Forced

Product description	Burning position	Environmental information Information according Art. 33 of EU Regulation (EC) 1907/2006 (REACH)		
		Date of Declaration	Primary Article Identifier	Candidate List Substance 1
64255 20 W 8 V	Other	29-02-2024	4050300006833 4008321074218	No declarable substances contained
64617 75 W 12 V	p90/p15	29-02-2024	4050300231211	No declarable substances contained
64617 S 75 W 12 V ¹⁾	p90/p15	29-02-2024	4050300461106	No declarable substances contained
64624 100 W 12 V	p90/p15	29-02-2024	4050300013916	No declarable substances contained

Product description	Declaration No. in SCIP database	Country specific categorizations
		LIF
64255 20 W 8 V	No declarable substances contained	
64617 75 W 12 V	No declarable substances contained	M/117
64617 S 75 W 12 V ¹⁾	No declarable substances contained	
64624 100 W 12 V	No declarable substances contained	

¹⁾ Spot adjustment

Product family datasheet

Application advice

For more detailed application information and graphics please see product datasheet.

References / Links

For further technical information please refer to the following OSRAM brochure:

“Technology and applications, Low-voltage tungsten-halogen lamps”

“Halogen lamps, low and medium voltage for entertainment, technical and medical applications” cross reference list

Disclaimer

Subject to change without notice. Errors and omission excepted. Always make sure to use the most recent release.